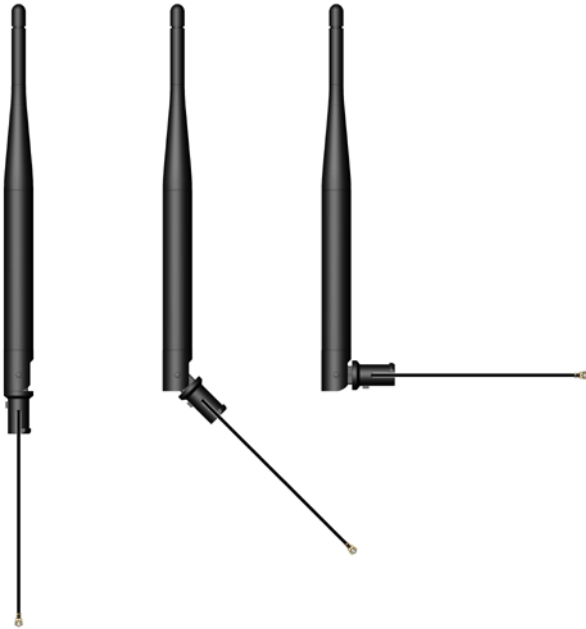


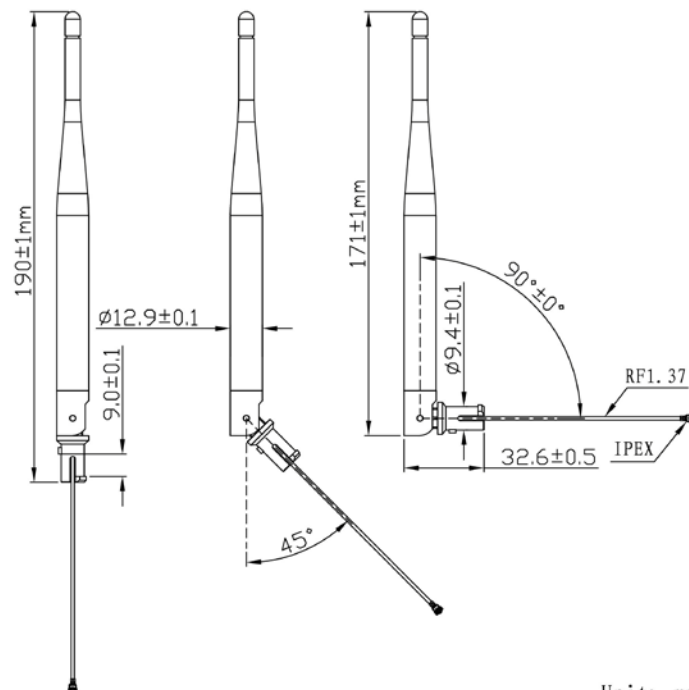


WIFI Antenna

TOP-WIFI05



DIMENSIONS





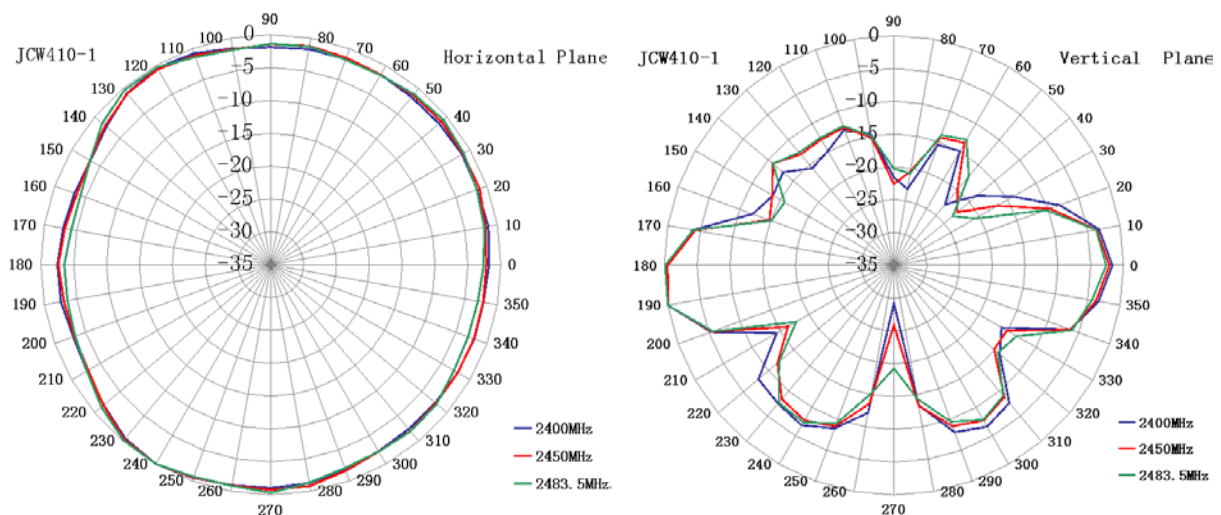
TOP ELECTRONIC INDUSTRY CO., LTD.

www.topecind.com / www.top-elecomponents.com

SPECIFICATIONS

Item	Specifications	
Antenna	Frequency Range	2400~2483.5MHz
	Band Width	83.5MHz
	Polarization	Linear
	Gain	5dBi
	V.S.W.R	<2.0
	Impedance	50 Ω
Mechanical	Cable	RG178/RF1.37 or others
	Connector	IPEX or others
	Mounting Method	Knuckle
Environmental	Operating Temperature	-40°C~+85°C
	Vibration	10 to 55Hz with 1.5mm amplitude 2hours
	Environmentally Friendly	ROHS Compliant

Radiation Pattern



TOP ELECTRONIC INDUSTRY CO.,LTD

Rm407 27th Bldg,Nanhua Zone,Huaqianganan,Futian Dist,SZ,GD,China

Tel:+86-755-8281 5110

Fax:+86-755-8281 5220

Web: www.topecind.com